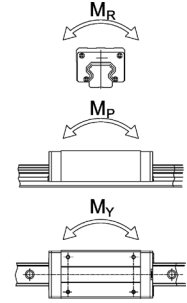
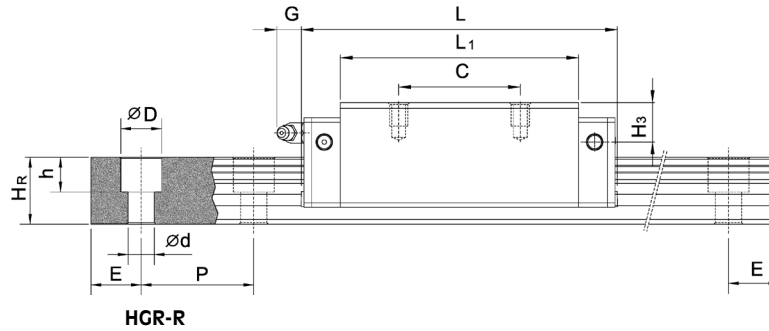
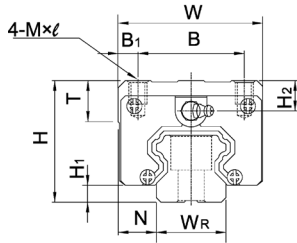
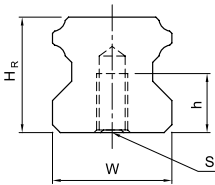


HGH-CA HGH-HA



Rail HGR-T (ver página 264)



Código	Dimensiones de montaje (mm)			Medidas de patín (mm)										Medidas de rail (mm)						Tornillo de montaje	Carga dinámica C (N)	Caja estática CO (N)	Máximo momento estático			Peso			
	H	H ₁	N	W	B	B ₁	C	L ₁	L	G	Mxℓ	T	H ₂	H ₃	W _R	H _R	D	h	d				P	E	M _R [Nm]	M _P [Nm]	M _Y [Nm]	Patín [kg]	Rail
HGH15CA	28	4.3	9.5	34	26	4	26	39.4	61.4	5.3	M4x5	6	8.5	9.5	15	15	7.5	5.3	4.5	60	20	M4x16	11380	25310	170	150	150	0.18	1.45
HGH20CA HGH20HA	30	4.6	12	44	32	6	36	50.5	77.5	12	M5x6	8	6	7	20	17.5	9.5	8.5	6	60	20	M5x16	17750	37840	380	270	270	0.38	2.21
							50	65.2	90.3														21180	48840	480	470	470	0.39	
HGH25CA HGH25HA	40	5.5	12.5	48	35	6.5	35	58	83	12	M6x8	8	10	13	23	22	11	9	7	60	20	M6x20	26480	56190	640	510	510	0.67	3.21
							50	78.6	103.6														32750	76000	870	880	880	0.69	
HGH30CA HGH30HA	45	6	16	60	40	10	40	70	97.4	12	M8x10	8.5	9.5	13.8	28	26	14	12	9	80	20	M8x25	38740	83060	1060	850	850	1.14	4.47
							60	93	120.4														47270	110130	1400	1470	1470	1.16	
HGH35CA HGH35HA	55	7.5	18	70	50	10	50	80	112.4	12	M8x12	10.2	16	19.6	34	29	14	12	9	80	20	M8x25	49520	102870	1730	1200	1200	1.88	6.3
							72	105.8	138.2														60210	136310	2290	2080	2080	1.92	
HGH45CA HGH45HA	70	9.5	20.5	86	60	13	60	97	138	12.9	M10x17	16	18.5	30.5	45	38	20	17	14	105	22.5	M12x35	77570	155930	3010	2350	2350	3.54	10.41
							80	128.8	169.8														94540	207120	4000	4070	4070	3.61	
HGH55CA HGH55HA	80	13	23.5	100	75	12.5	75	117.7	165.7	12.9	M12x18	17.5	22	29	53	44	23	20	16	120	30	M14x45	114440	227810	5660	4060	4060	5.38	15.08
							95	155.8	203.8														139350	301260	7490	7010	7010	5.49	
HGH65CA HGH65HA	90	15	31.5	126	76	25	70	144.2	198.2	12.9	M16x20	25	15	15	63	53	26	22	18	150	35	M16x50	163630	324710	10020	6440	6440	7.00	21.18
							120	203.6	257.6														208360	457150	14150	11120	11120	9.82	